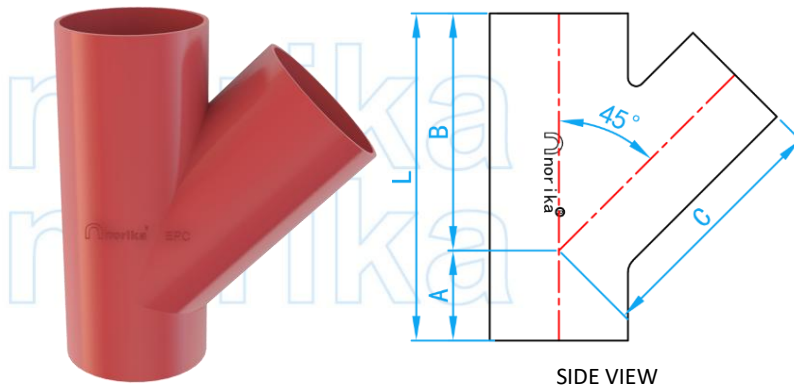


EPC - FUSION BONDED EPOXY COATED CAST IRON HUBLESS BRANCH TEE 45°



COMPLY WITH EN877:2010 01



*Availability upon request

COATING CHARACTERISTIC

Fittings:

Epoxy fittings inside and outside: Fusion bonded epoxy coating.

Coating Thickness: Min- 240µm

DIMENSIONS

SKU	DN (mm)	A (mm)	B (mm)	L (mm)	C (mm)	WEIGHT (kg)
HUBEYT05050	50X50	50	135	185	135	1.4
HUBEYT08050	75X50	50	140	190	140	1.70
HUBEYT08080	75X75	65	160	225	160	2.4
HUBEYT100050	100X50	35	165	200	165	2.5
HUBEYT100080	100X75	55	175	230	175	3.3
HUBEYT100100	100X100	70	205	275	205	4.04
HUBEYT125050	125X50*	20	185	205	185	3.4
HUBEYT125080	125X75*	40	200	240	200	4.4
HUBEYT125100	125X100	60	220	280	220	5.2
HUBEYT150080	150X75	30	215	345	215	5.9
HUBEYT150100	150X100	55	240	295	240	6.44
HUBEYT150125	150X125*	70	255	325	255	8.0
HUBEYT150150	150X150	90	265	355	265	9.2
HUBEYT200080	200X75	15	240	255	240	8.5
HUBEYT200100	200X100	40	265	305	265	8.25
HUBEYT200125	200X125*	55	280	335	280	11.9
HUBEYT200150	200X150	75	300	375	300	11.86
HUBEYT200200	200X200	115	340	455	340	17.00
HUBEYT250100	250X100*	15	310	325	310	15.4
HUBEYT250125	250X125*	35	335	370	335	17.7
HUBEYT250150	250X150*	55	350	405	350	20.2
HUBEYT250200	250X200*	90	385	475	385	25.1
HUBEYT250250	250X250*	130	430	560	430	31.5
HUBEYT300100	300X100*	5	345	350	345	22.0
HUBEYT300125	300X125*	15	360	375	360	23.9
HUBEYT300150	300X150*	35	380	415	380	26.9
HUBEYT300200	300X200*	70	415	485	415	34.0
HUBEYT300250	300X250*	115	465	580	465	34.0
HUBEYT300300	300X300*	155	505	660	505	50.1

Notes: The tolerance for Weight is $\pm 10\%$.